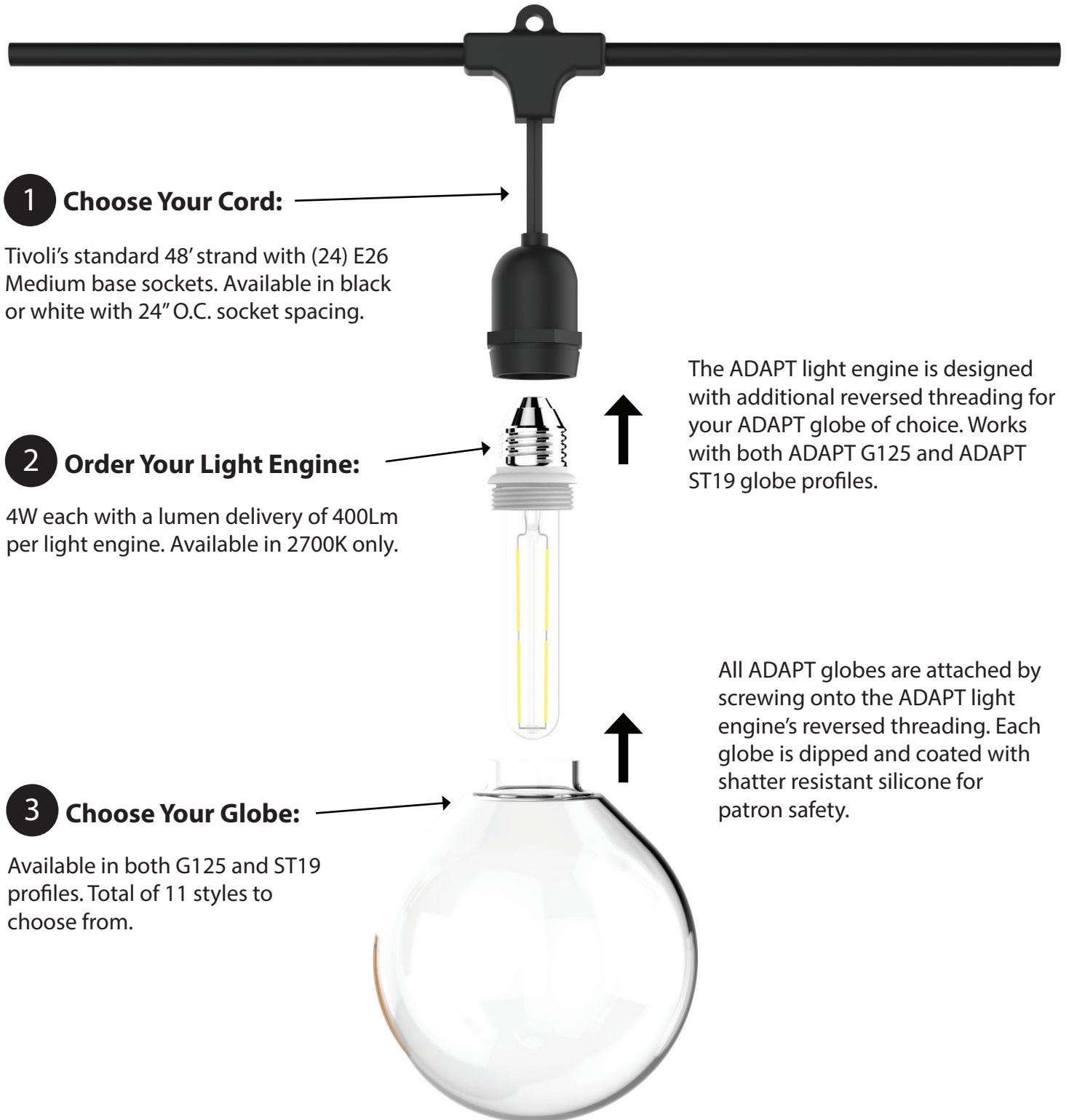




**ADAPT**  
COMMERCIAL STRING LIGHT

## ADAPT COMMERCIAL STRING LIGHT- How it works

Simply choose your cord color, light engine and globe choice for over 20 design combinations to create a unique experience for personal or public space.



**1 Choose Your Cord:**

Tivoli's standard 48' strand with (24) E26 Medium base sockets. Available in black or white with 24" O.C. socket spacing.

**2 Order Your Light Engine:**

4W each with a lumen delivery of 400Lm per light engine. Available in 2700K only.

**3 Choose Your Globe:**

Available in both G125 and ST19 profiles. Total of 11 styles to choose from.

The ADAPT light engine is designed with additional reversed threading for your ADAPT globe of choice. Works with both ADAPT G125 and ADAPT ST19 globe profiles.

All ADAPT globes are attached by screwing onto the ADAPT light engine's reversed threading. Each globe is dipped and coated with shatter resistant silicone for patron safety.



## 1 Choose Your Cord

Standard 48' strand with E26 Medium base sockets. Available in black or white with 24" O.C. spacing and 24 socket count.



Strand



120V AC



Warranty

Socket On Center Spacing	24"
Length (with male and female ends)	48'
Field Cuttable	No
Watts per Strand / Filament Light Engine	96 Watts
E26 Socket Type Count	24
Cord Type	3C x 14AWG SJTW
Operating Voltage	120V
Plug	5-15P Polarized
Available Color	Black, White
Cord Weight	7.85 lbs.
Mounting	Indoor/Outdoor



24" OC Connecting Multiple Light String On Single Run (MAX RUN)			
Light Engine	Strand Sets	Feet	Watts
Filament	8	384'	768'

Based on 10% Voltage Drop

### Order Information

**COMMERCIAL STRAND 24" O.C. w/24 socket count.**  
**TCSL-S-B-24-120**

48' 120V Commercial Strand BLACK cord, 24" OC spacing.

**TCSL-S-W-24-120**

48' 120V Commercial Strand WHITE cord, 24" OC spacing.

## 2 Order Your Light Engine

LED Filament Light Engine (each)				
Lifetime Hours	Watts	Lumens	Weight	Kelvin Temperature
15000	4W	400 Lm	.10lbs	2700K

### Order Information

**ALS-TF-T25-E26-4W-27K-6PK-R**

Filament Light Engine - Sold as 6 Pack with (1) rubber O-Ring per Bulb.



CRI



E26  
Medium Base



120V AC



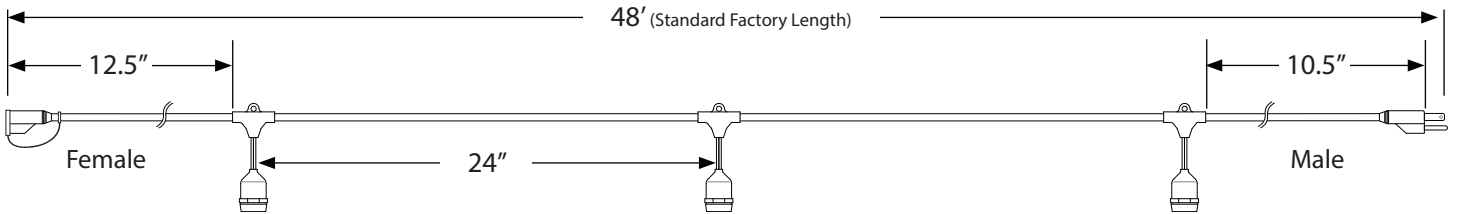
Dimmable



Note: Consult Factory for Dimmer compatibility options

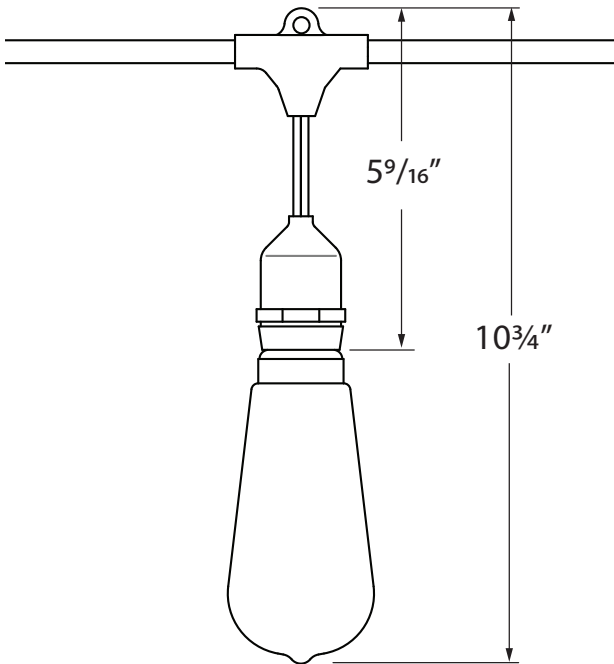


**Standard Spacing and Weights**



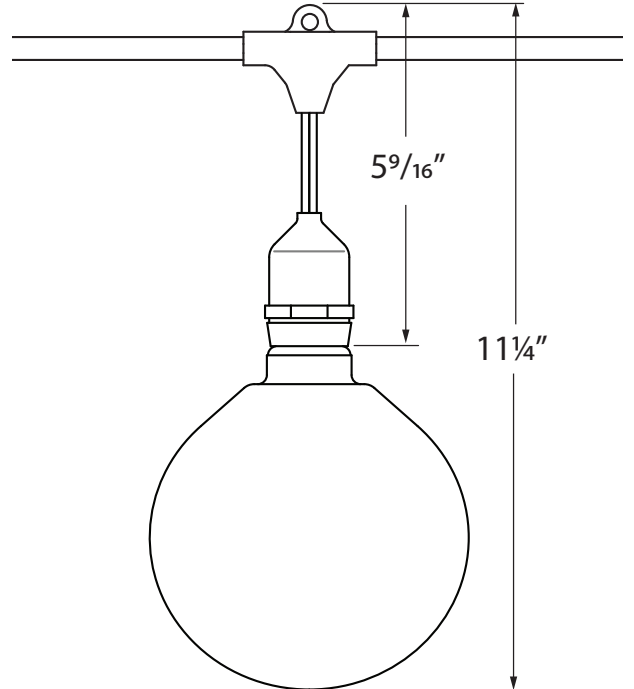
**Filament Light Engine and ST19 Total Weight w/48 ft. Strand**

12.65 lbs.



**Filament Light Engine and G25 Total Weight w/48 ft. Strand**

16.25 lbs.



**3 Choose Your Globe** - Sold each



Shatter Resistant Silicone Coating  
(Shatter resistance assist with silicone coating - Glass may still break under certain conditions)

G125 Globe (Weight: .25 lbs/ea.)



**Ana**  
LSA-ANA-N



**Angela**  
LSA-ANG-N



**Gina**  
LSA-GIN-N



**Gaby**  
LSA-GAB-N



**Katie**  
LSA-KAT-N



**Susan\***  
LSA-SUS-N



**Toni\***  
LSA-TON-N



**Lucia\***  
LSA-LUC-N



**Victoria\***  
LSA-VIC-N

ST19 Globe (Weight: .10 lbs/ea.)



**Brenda**  
LSA-BRE-N



Shatter Resistant  
Silicone Coating

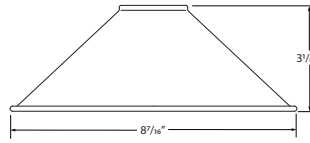


**Laura\***  
LSA-LAU-N

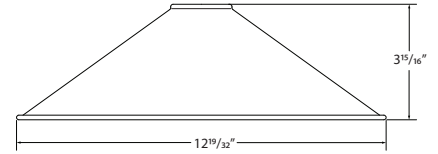
\*Consult Factory for MOQ and Lead Time.

**Light Shades**

**HAT**



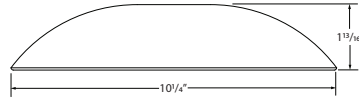
**SHADE-HT-BK-BK-8**  
Light Shade - HAT  
8.3" Black Top, Black Bottom



**SHADE-HT-BK-BK-13**  
Light Shade - HAT  
12.6" Black Top, Black Bottom  
**\*SHADE-HT-BK-CO-13**  
Light Shade - HAT  
12.6" Black Top, Copper Bottom

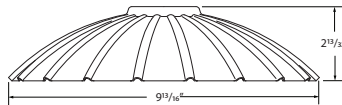
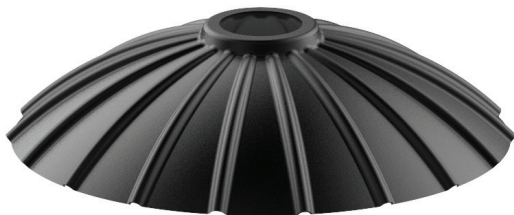
\*Consult factory for lead time and MOQ

**DISH**

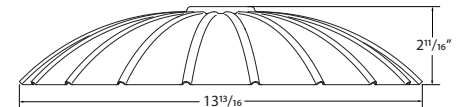


**SHADE-DS-BK-BK-10**  
Light Shade - DISH  
8.0" Black Top, Black Bottom

**FLOWER**



**SHADE-FL-BK-BK-10**  
Light Shade - FLOWER  
9.8" Light Shade, Black Top, Black Bottom



**SHADE-FL-BK-BK-13**  
Light Shade - FLOWER  
13.8" Light Shade, Black Top, Black Bottom

**Accessories**



**SHADE-ADP-CSL-BK-25** Light Shade Adapter  
PVC Black Adapters - Sold in packs of 25  
Comes with (25) Adapters, (50) set screws and (1) Allen Key.

**SHADE-ADP-CSL-BK-01** Light Shade Adapter  
PVC Black Adapters - Sold individually  
Comes with (1) Adapters, (2) set screws and (1) Allen Key.

\*Consult factory for lead time and MOQ

## Mounting

**WARNING:** For suspension application, catenary cable is required to support the product, otherwise the warranty will be void.



**LS-CABLE-60** Catenary Cable Kit - 60'  
(1/8" stainless steel aircraft cable includes 2 cables locks for use with loads up to 200lbs)

**LS-CABLE-110** Catenary Cable Kit - 110'  
(1/8" stainless steel aircraft cable includes 2 cables locks for use with loads up to 200lbs)

**LS-CABLE-500** Catenary Cable Kit - 500'  
(1/8th" stainless steel aircraft cable for use with loads up to 200lbs)



**LS-LOCK-X** Cable Lock  
X = 2 (2 Locks), 4 (4 locks) Includes (1) cable release key.  
Cable Lock for 1/8th inch cable, Heavy-duty lockable fasteners support loads up to 200 lbs. Can be easily adjusted without the use of tools.



**LS-TT** Catenary Tensioning Tool  
Catenary Cable Tensioning Tool up to 880lbs with minimal effort due to the 6:1 gear drive mechanism. Integral torque gauge controls the load applied to the wire, giving consistent tension every time and optimizing the life of the wire.



**LS-UVZP-BK-50** UV Zip Ties  
50 pc Bag set. UV resistant, heavy duty ties. Maximum weight up to 100 lbs./per tie.



**LS-UVZP-BK-30** UV Zip Ties  
30 pc Bag set. UV resistant, heavy duty ties. Maximum weight up to 100 lbs./per tie.

## Installation with Suspension Cable

